



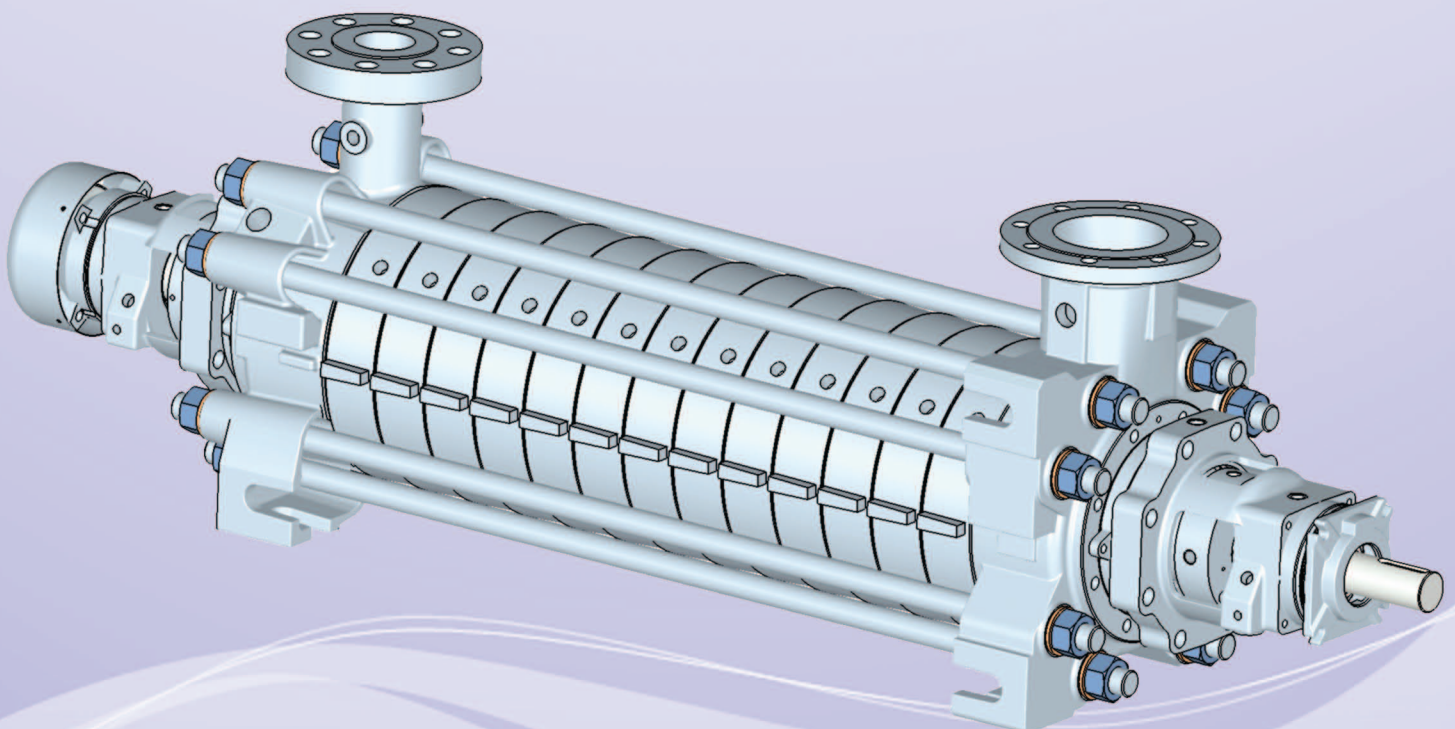
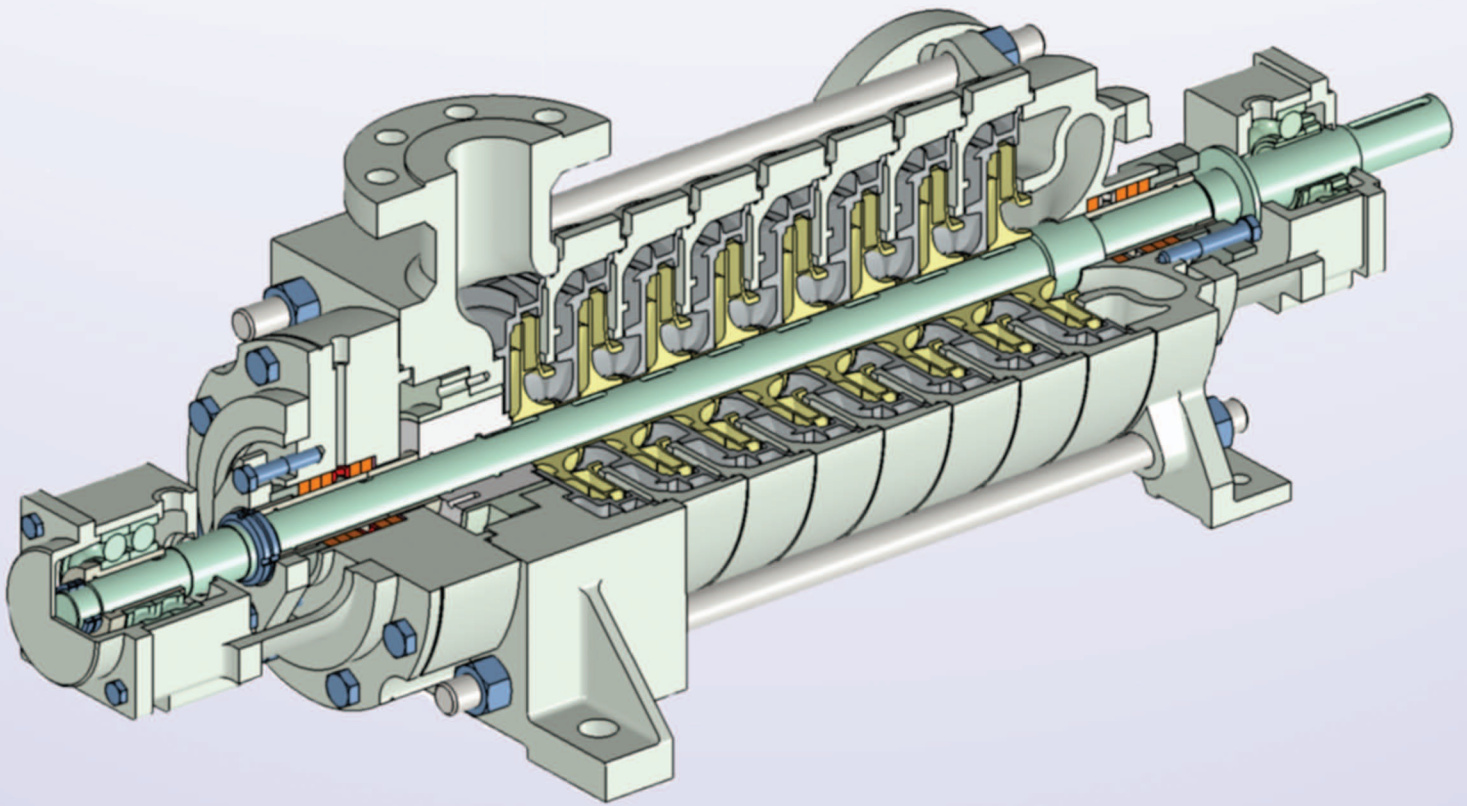
**BERKEH PUMP**

## **Multi-stage Centrifugal Pumps (BB4- API 610)**

Flange Size: 1 1/2" up to 8"

Capacity: up to 500 m<sup>3</sup>/h

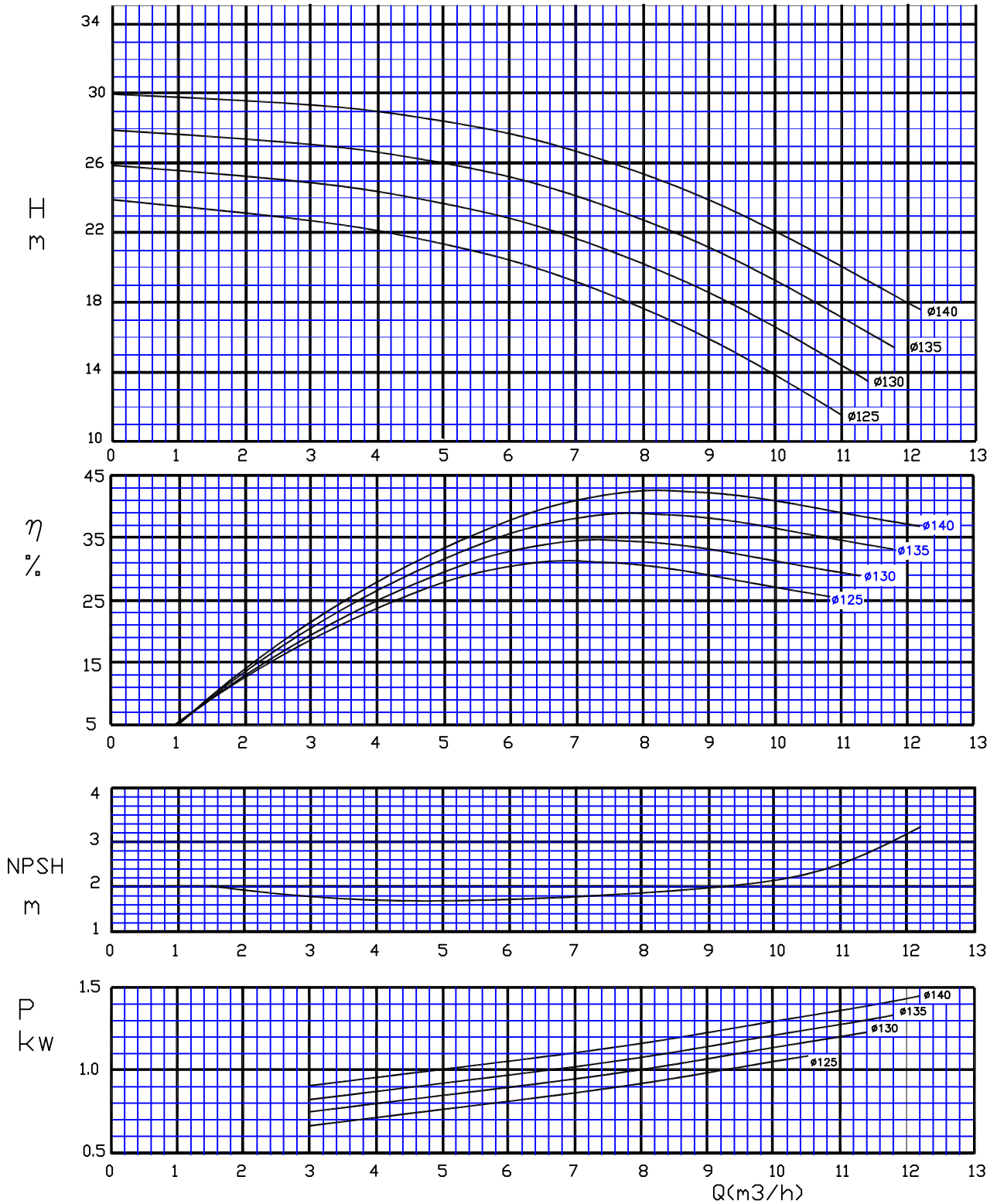
Head: up to 600 m





Type: 32/1

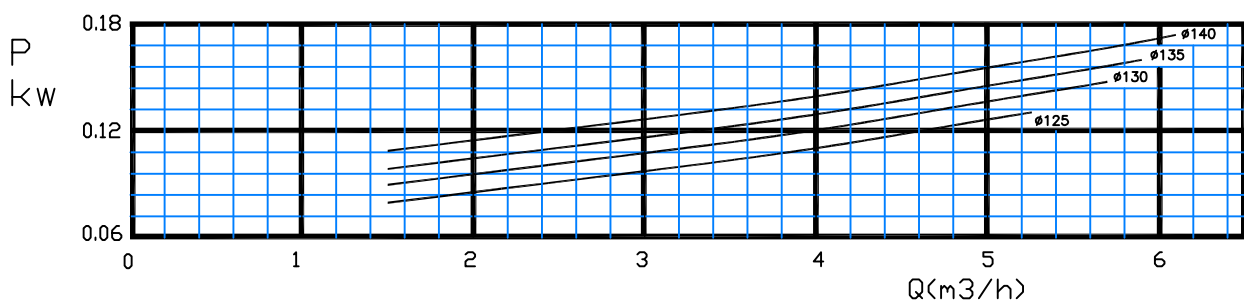
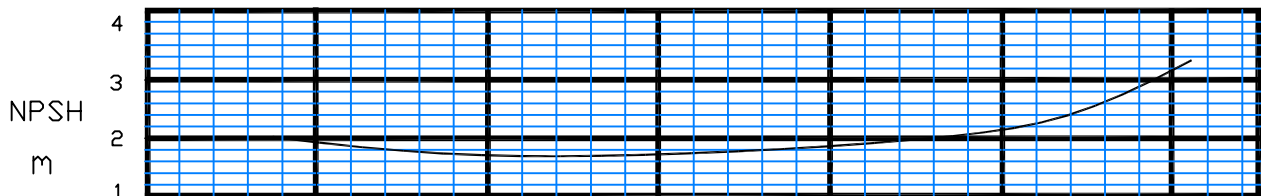
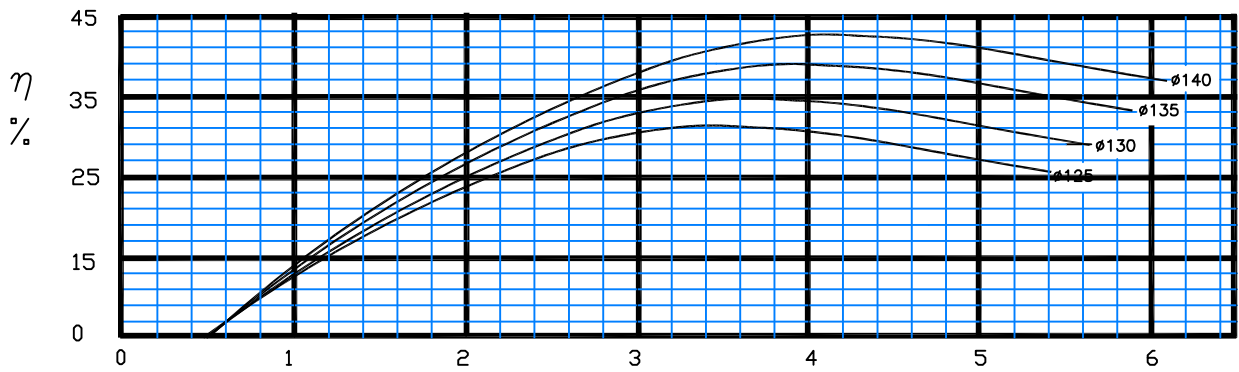
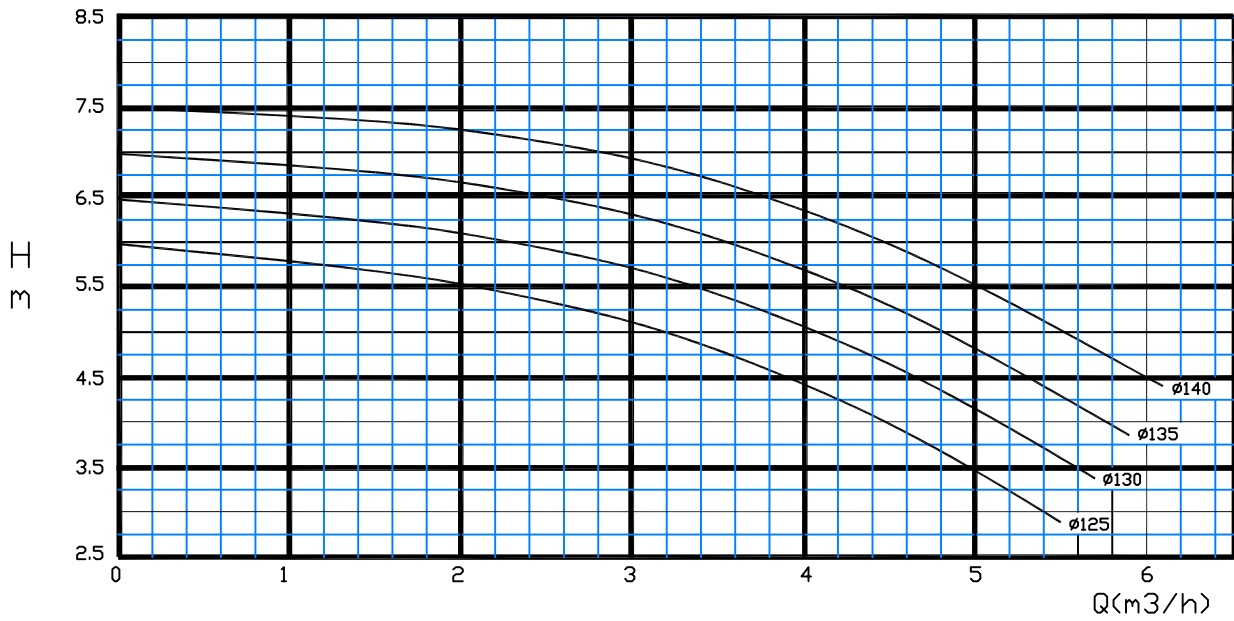
2900 rpm





Type: 32./1

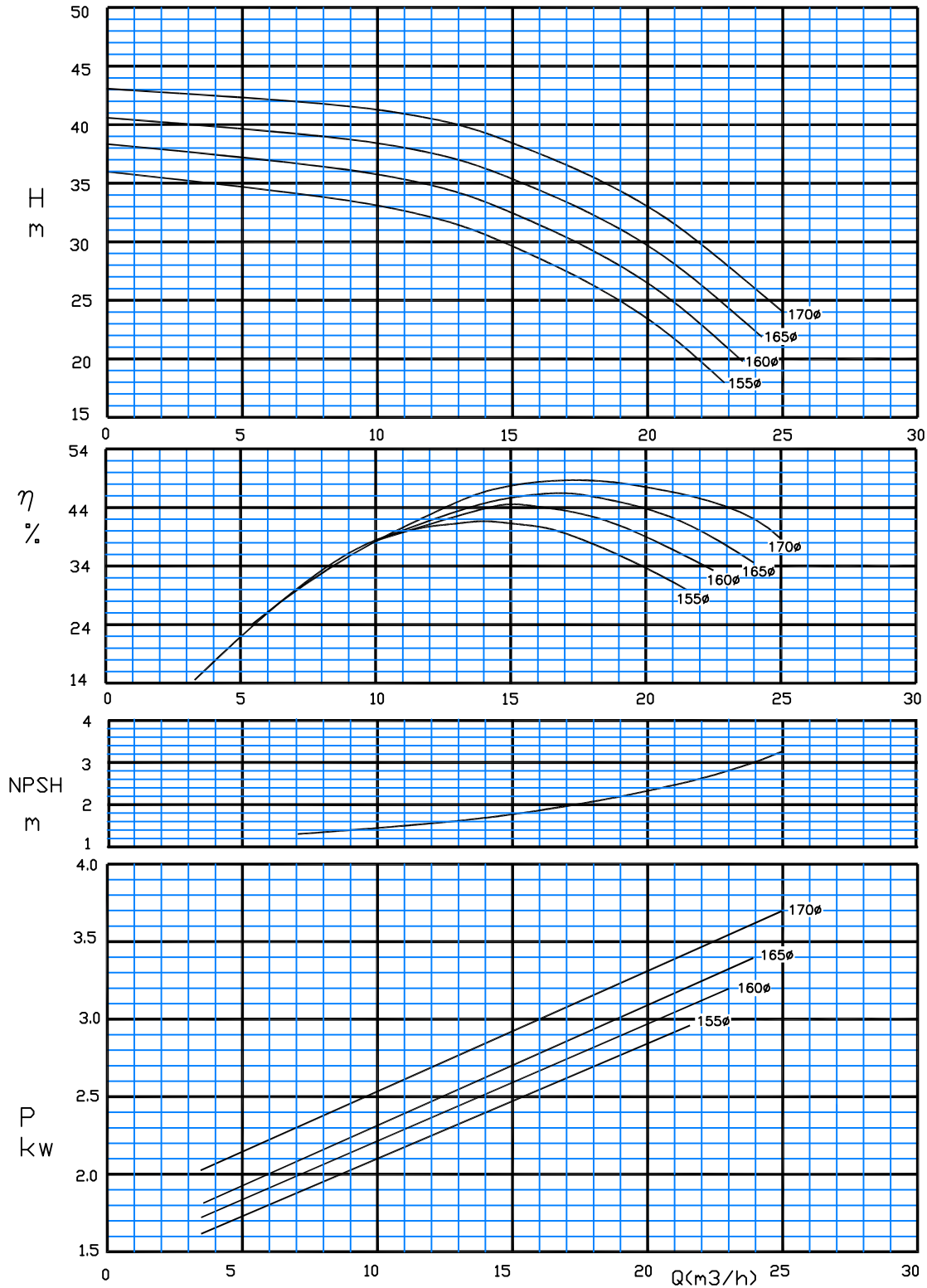
1450 rpm





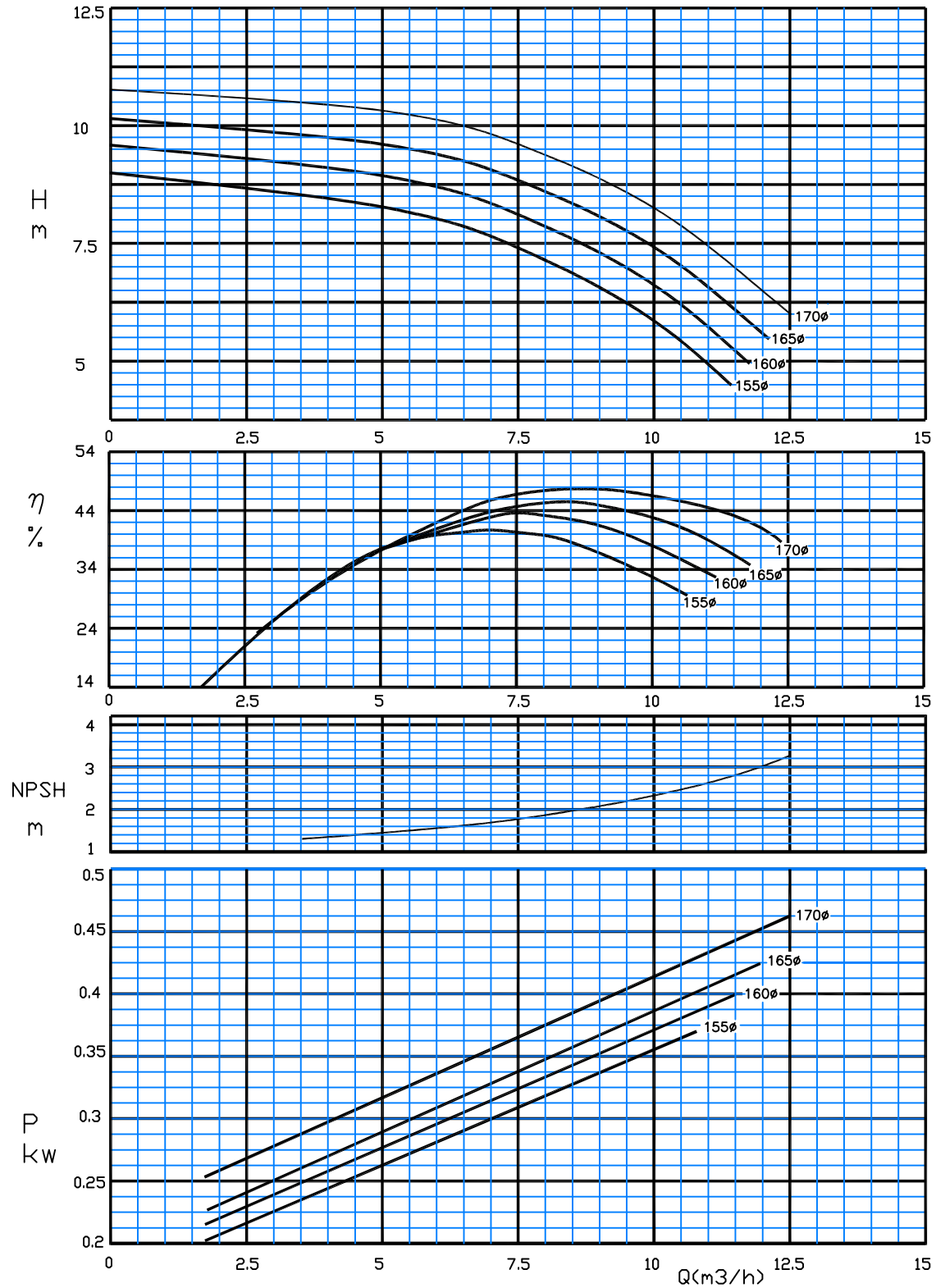
Type: 40/1

2900 rpm



Type: 40/1

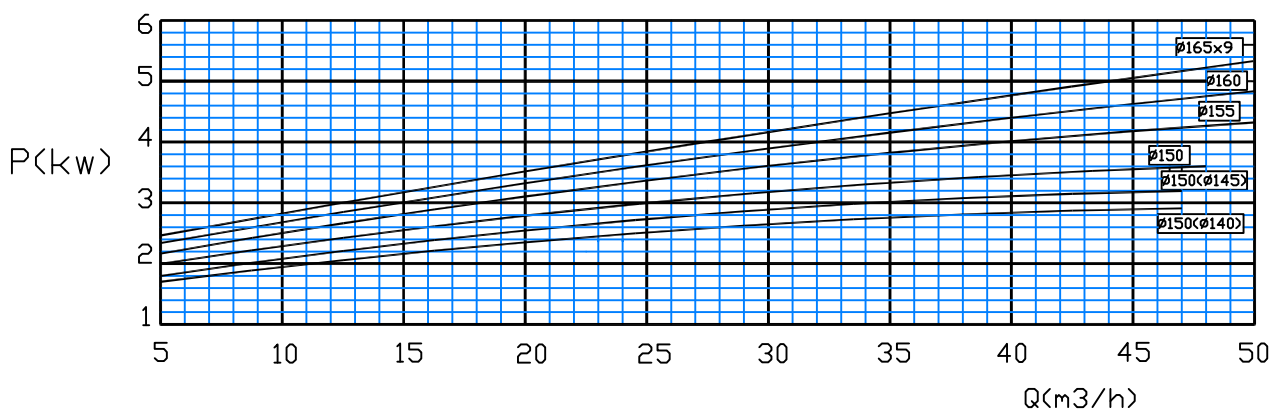
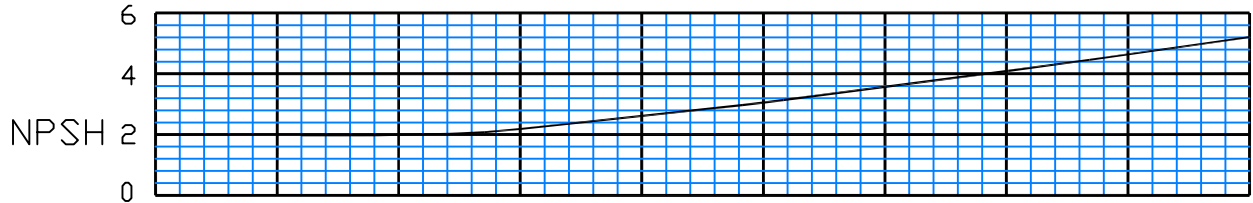
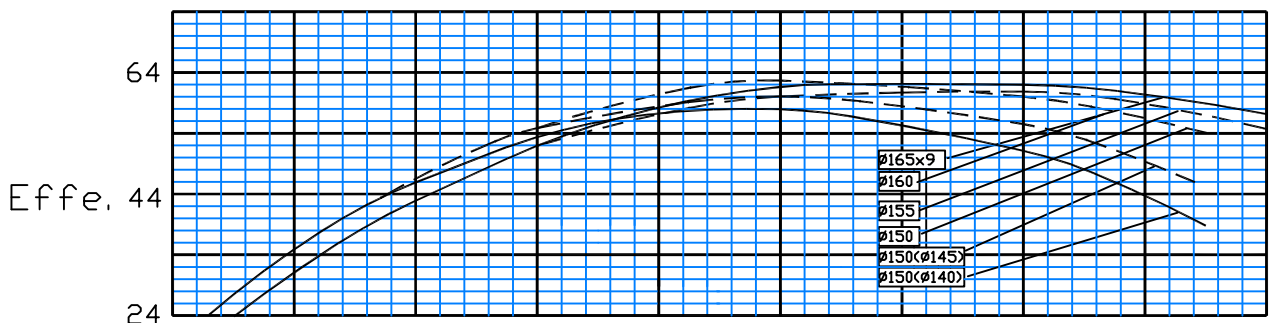
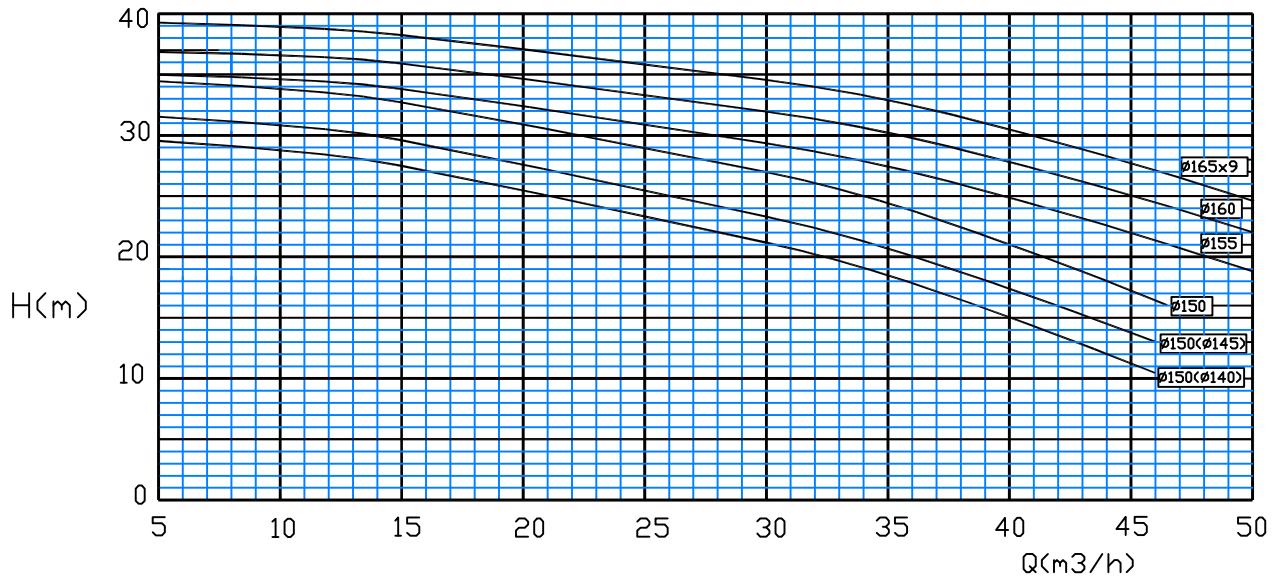
1450 rpm





Type: 50/1

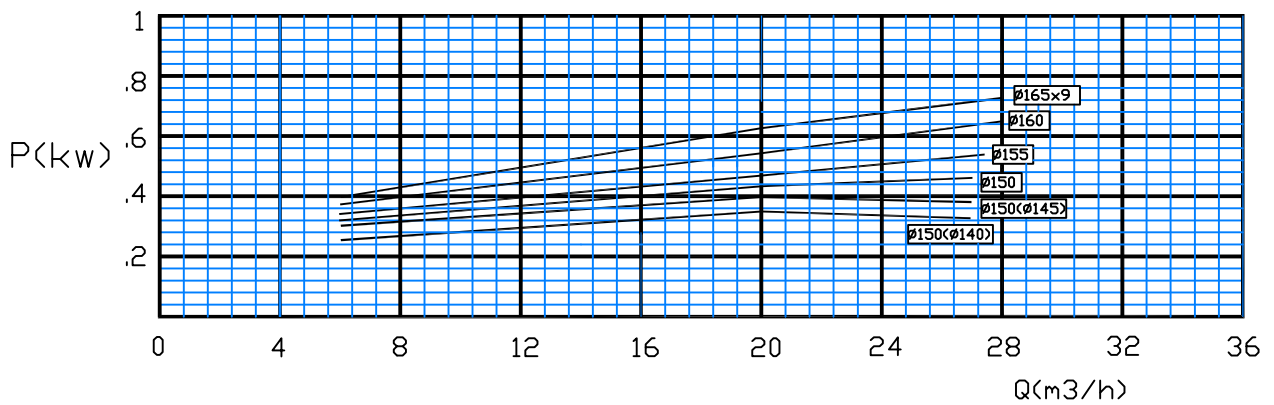
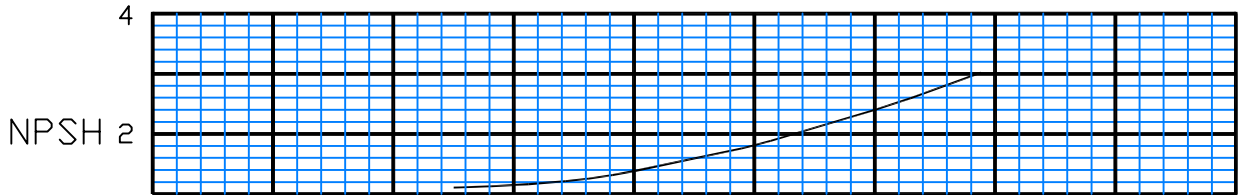
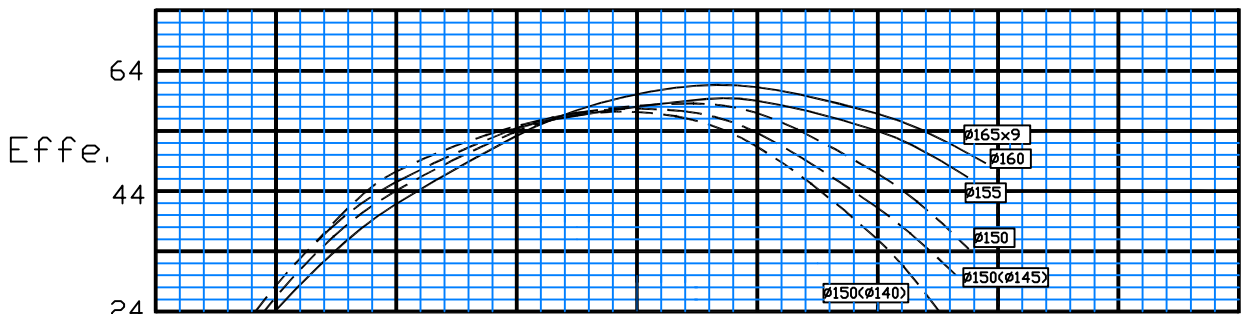
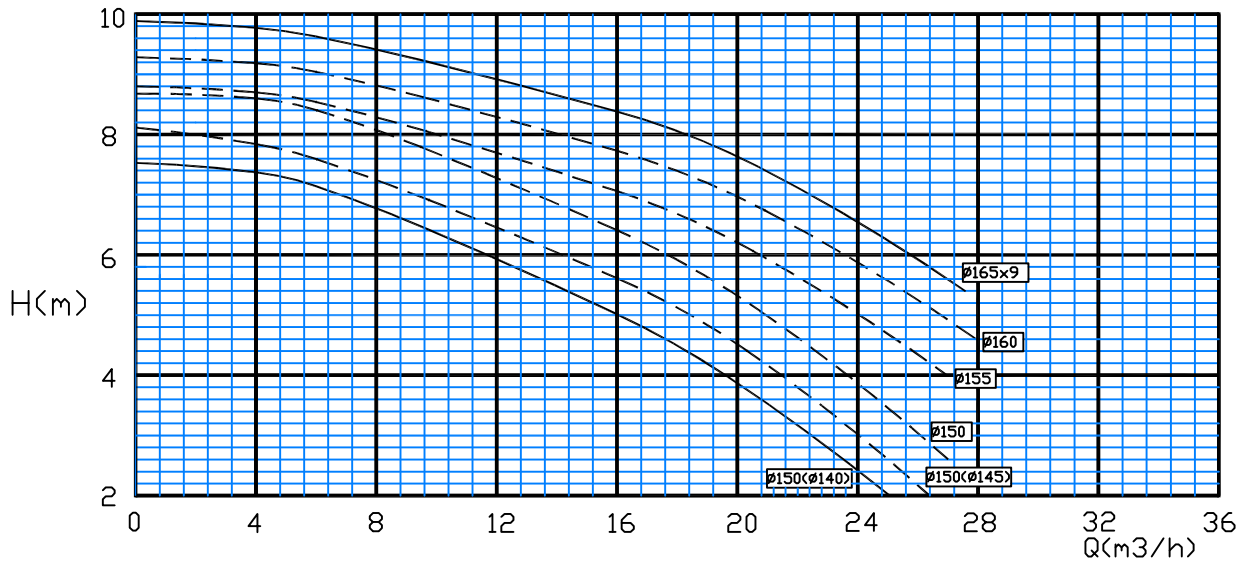
2900 rpm





Type: 50/1

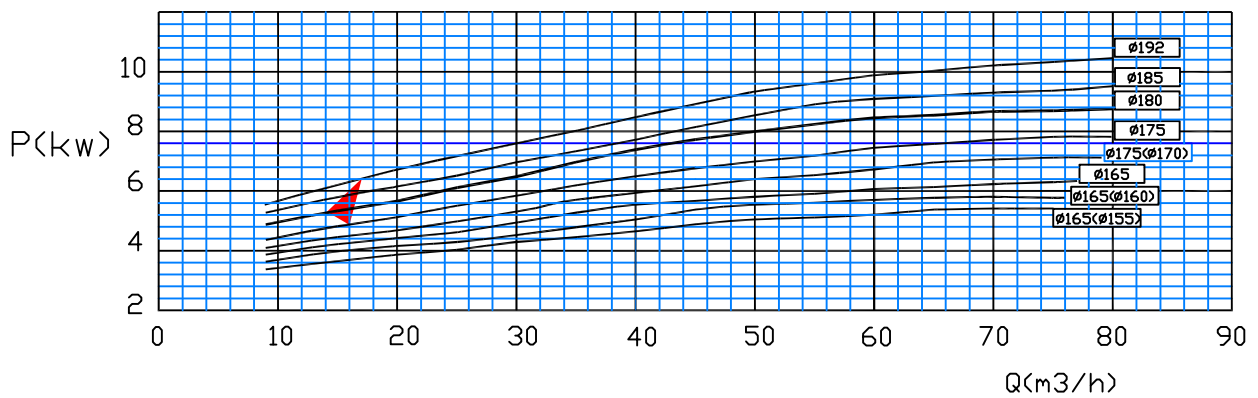
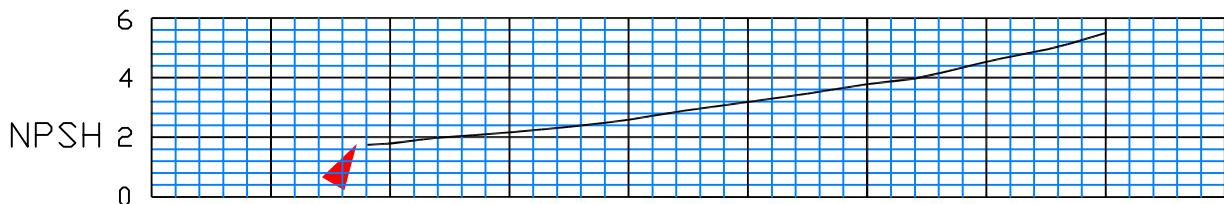
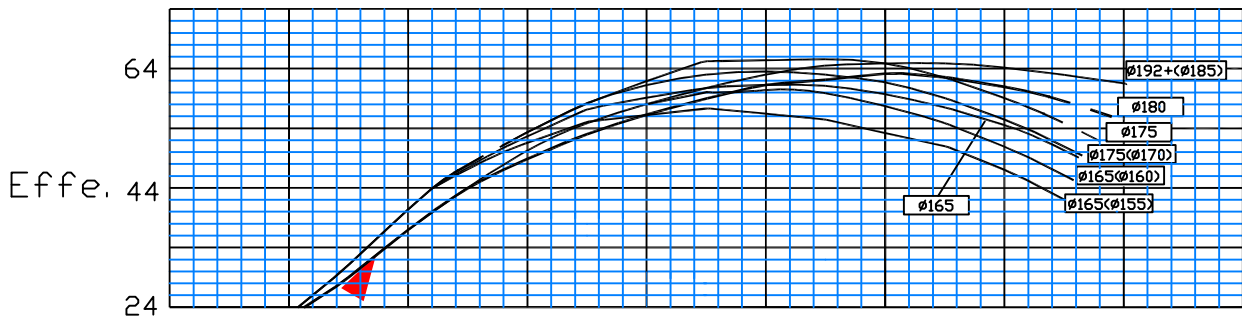
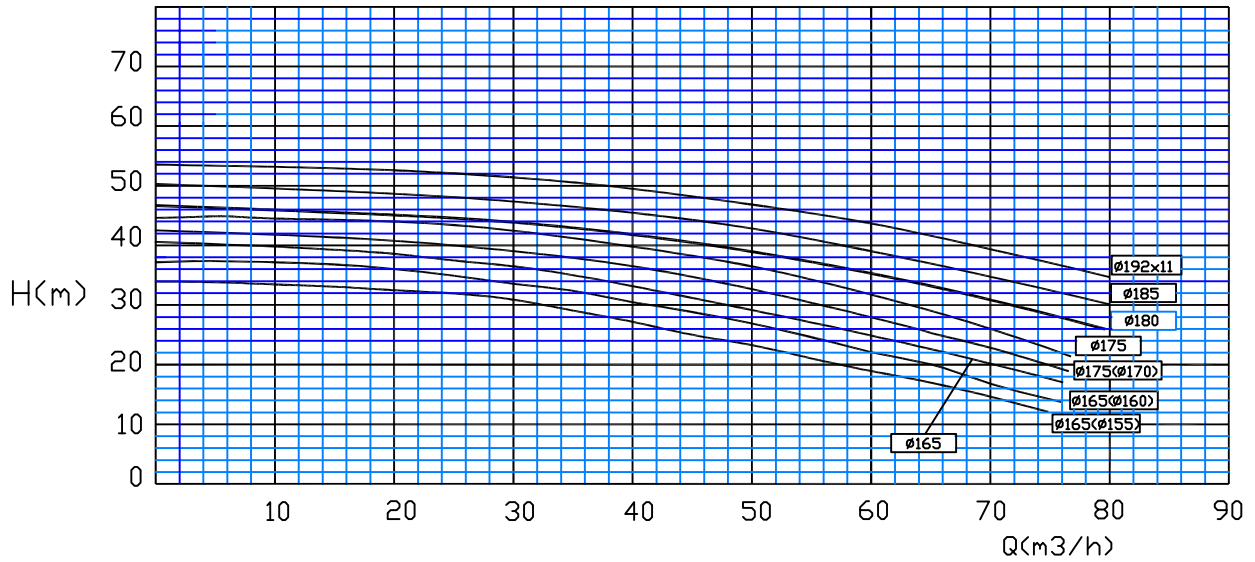
1450 rpm





Type: 65/1

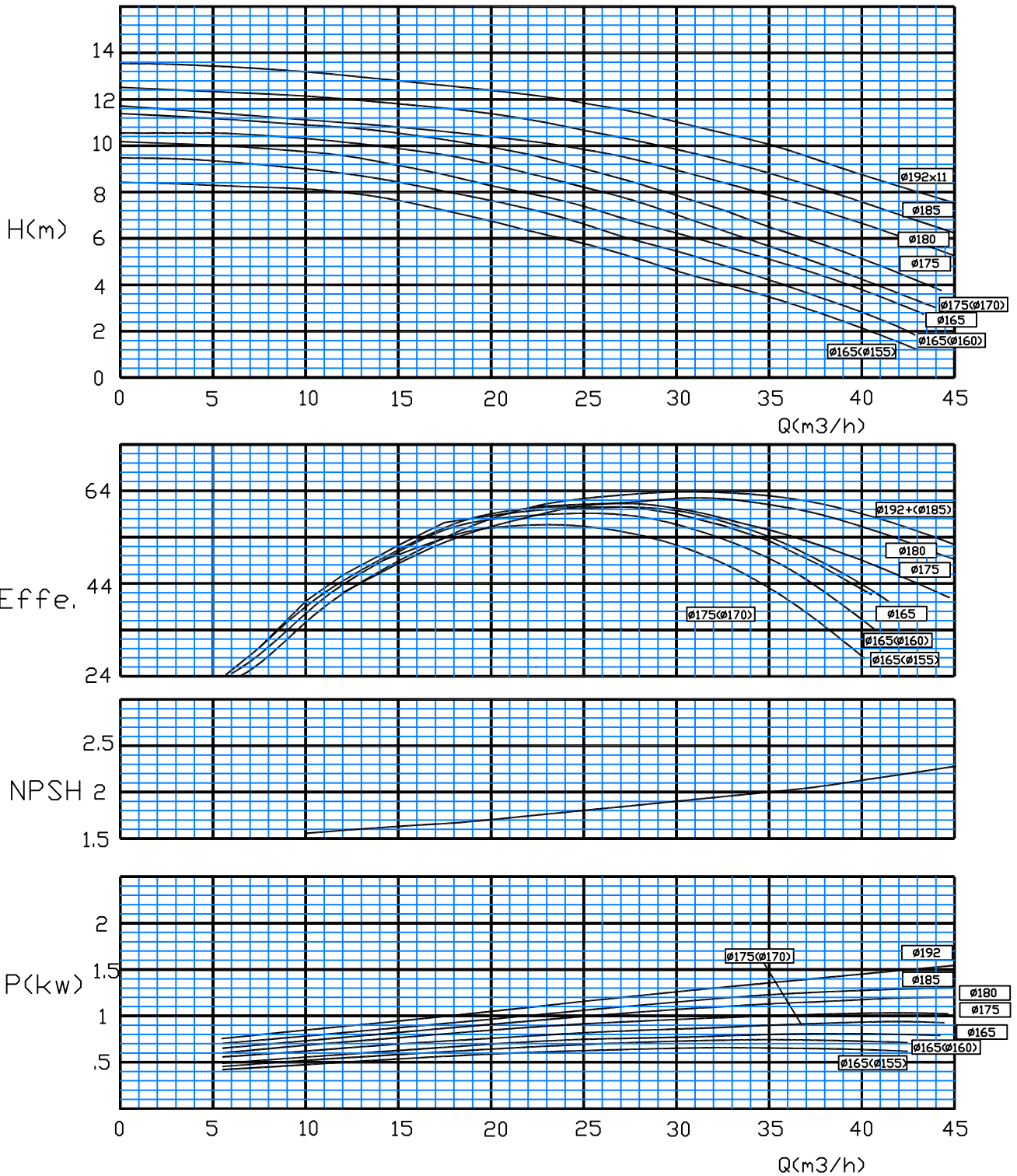
2900 rpm





Type: 65/1

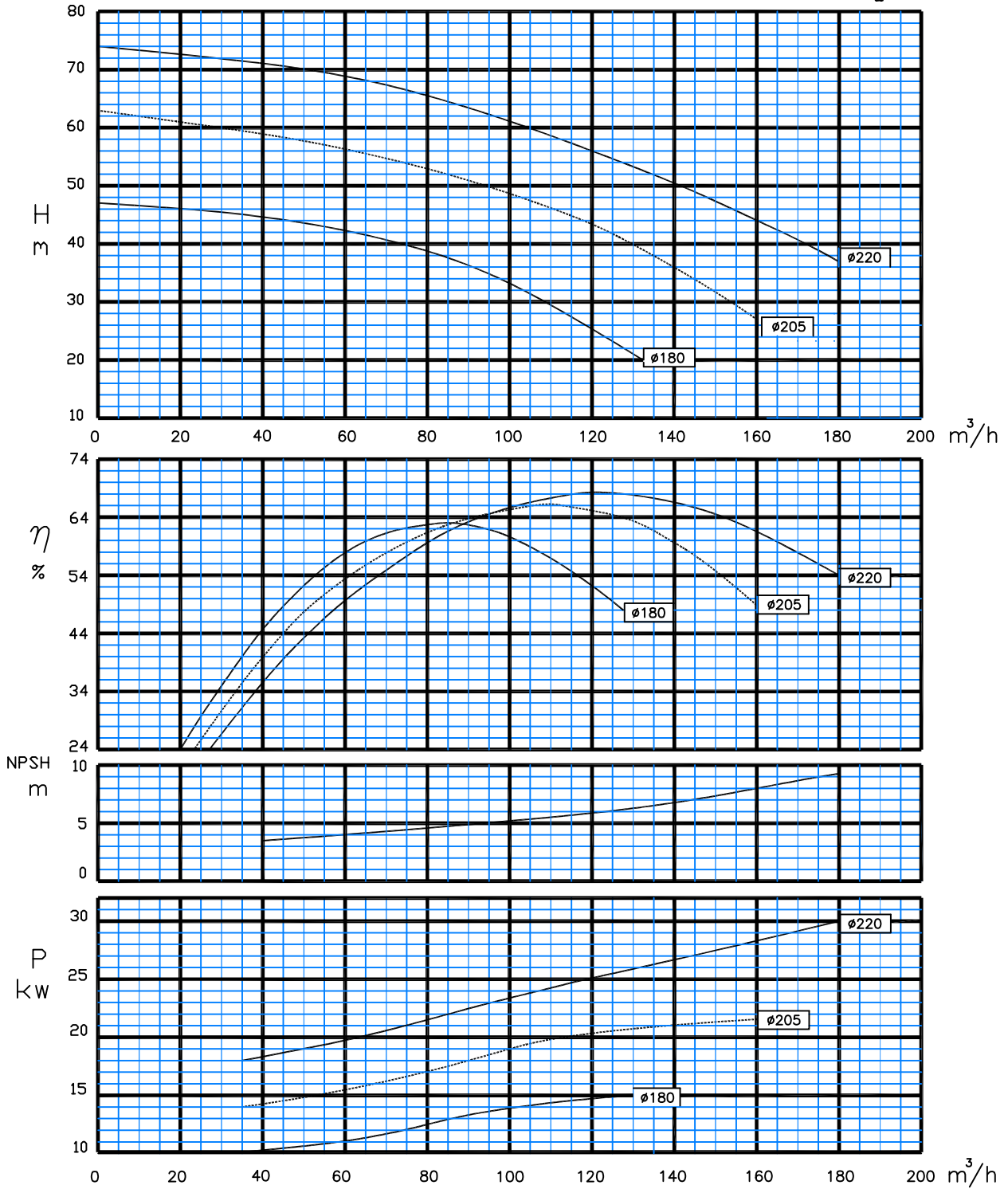
1450 rpm





Type: 80/1

2900 rpm

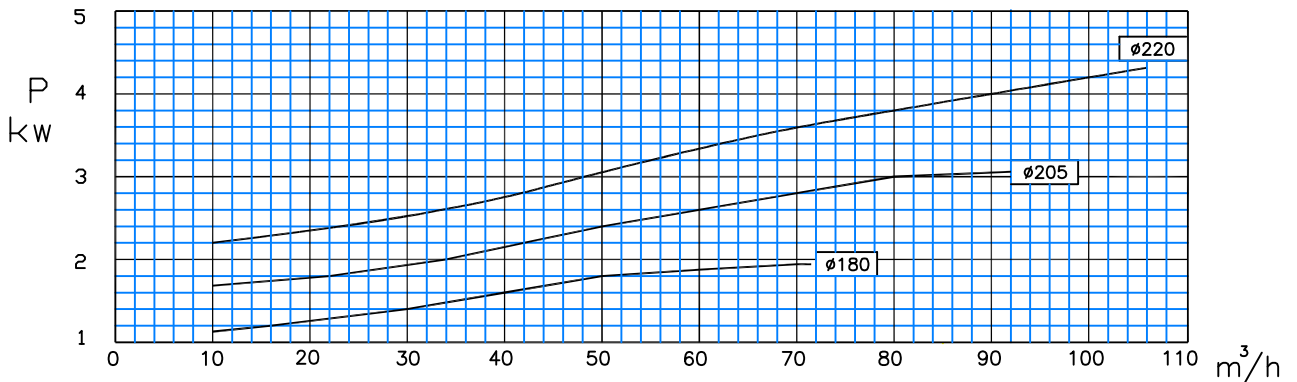
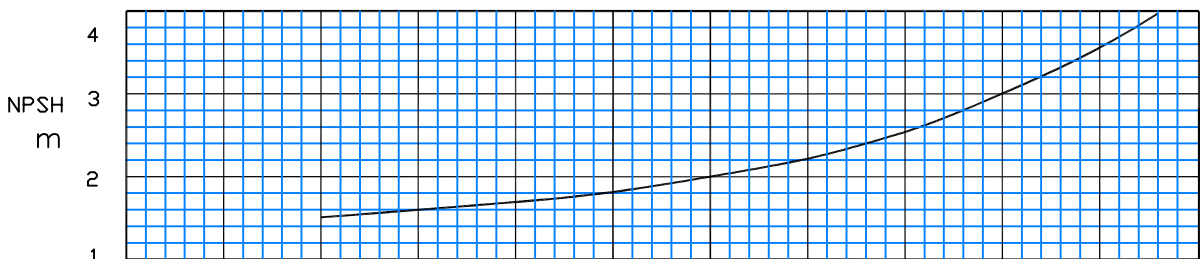
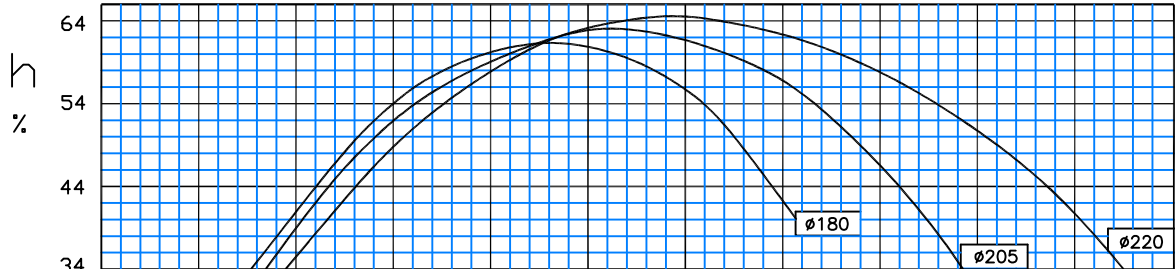
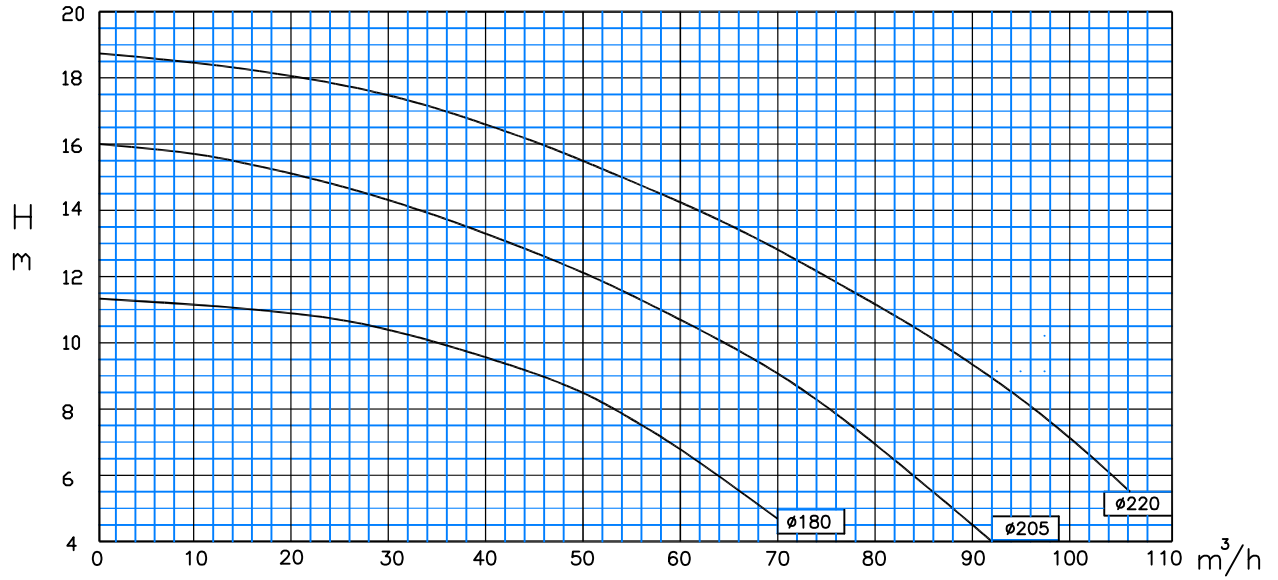




**BERKEH**  
Centrifugal Pump

Type: 80/1

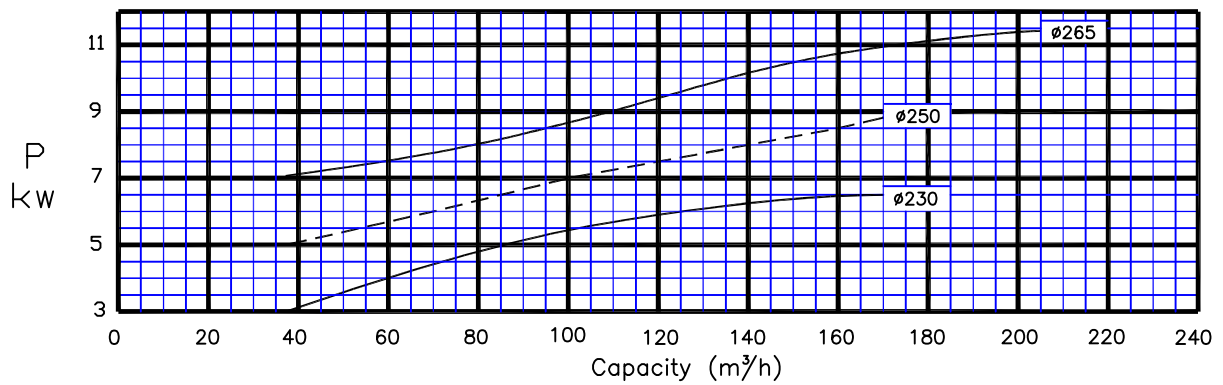
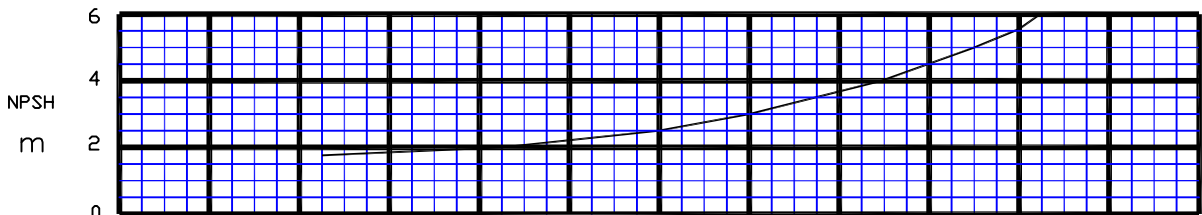
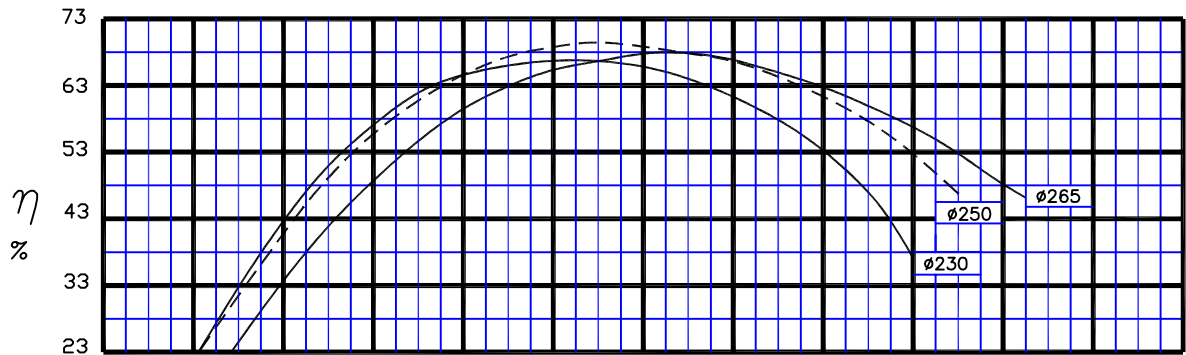
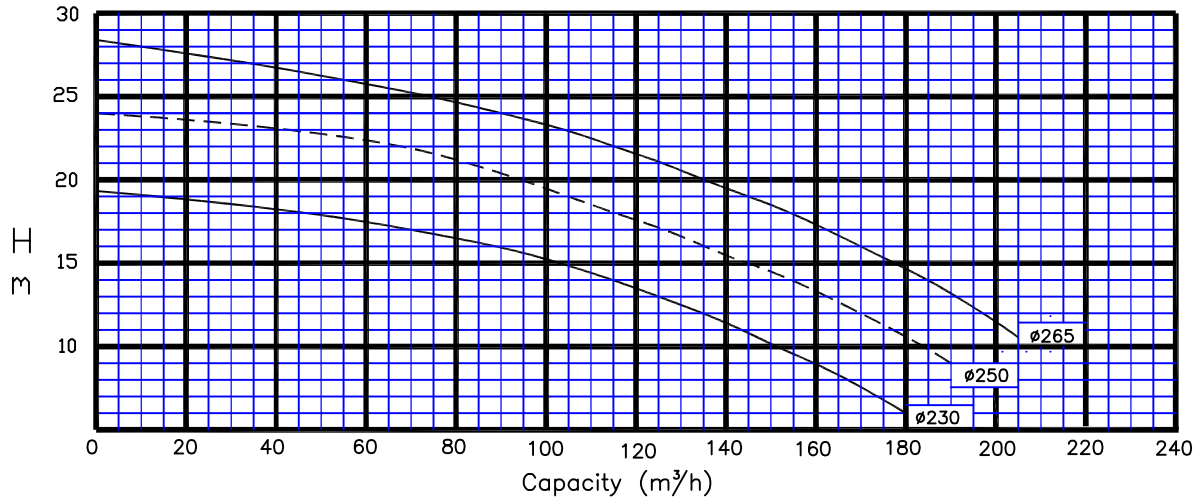
1450 rpm





Type: 100/1

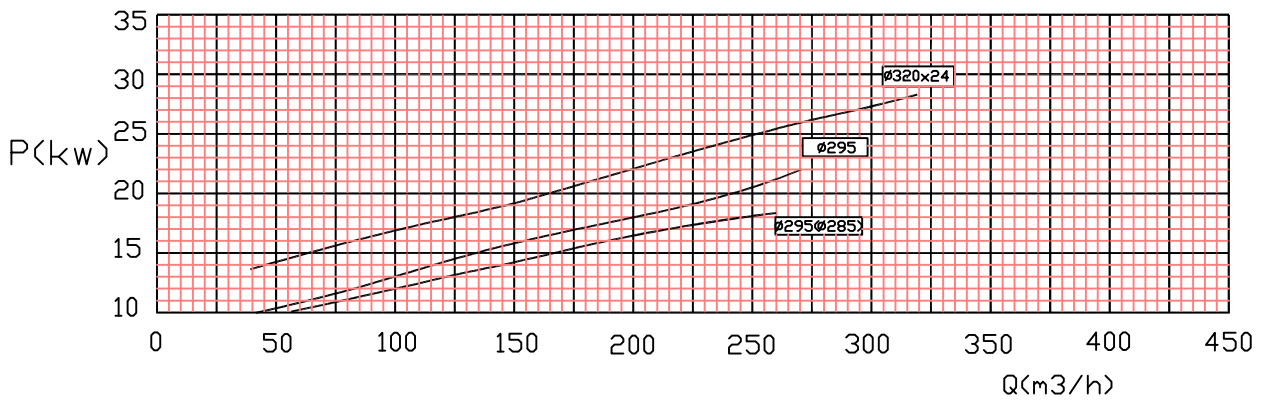
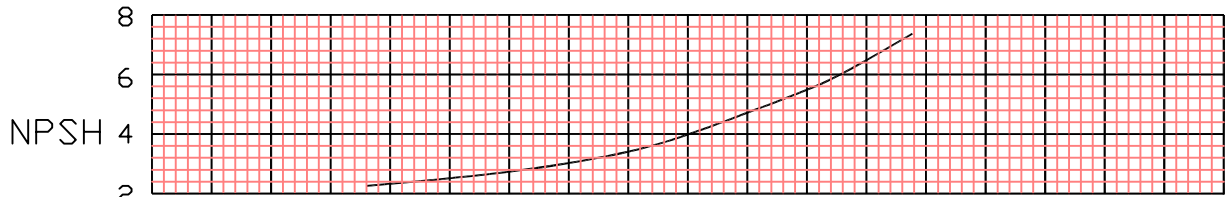
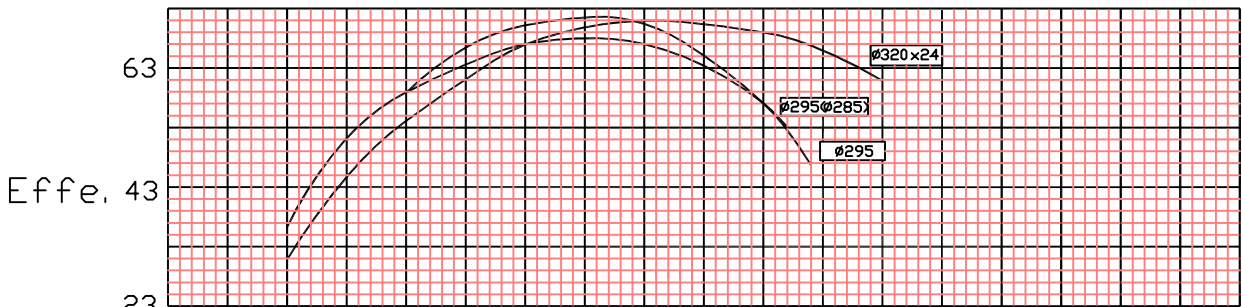
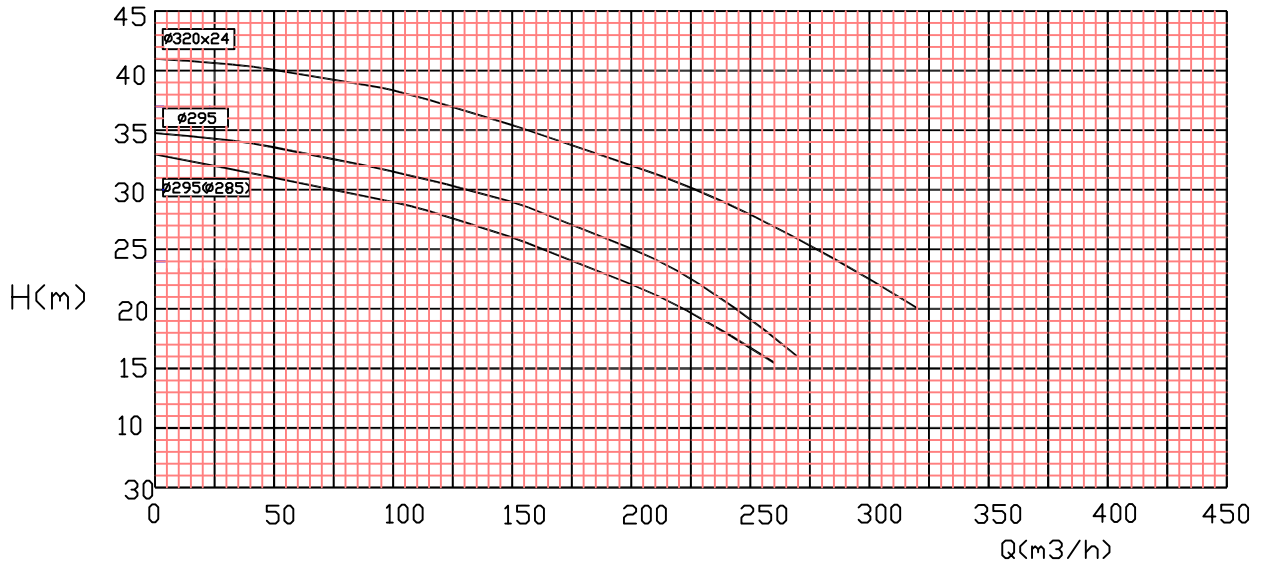
1450 rpm





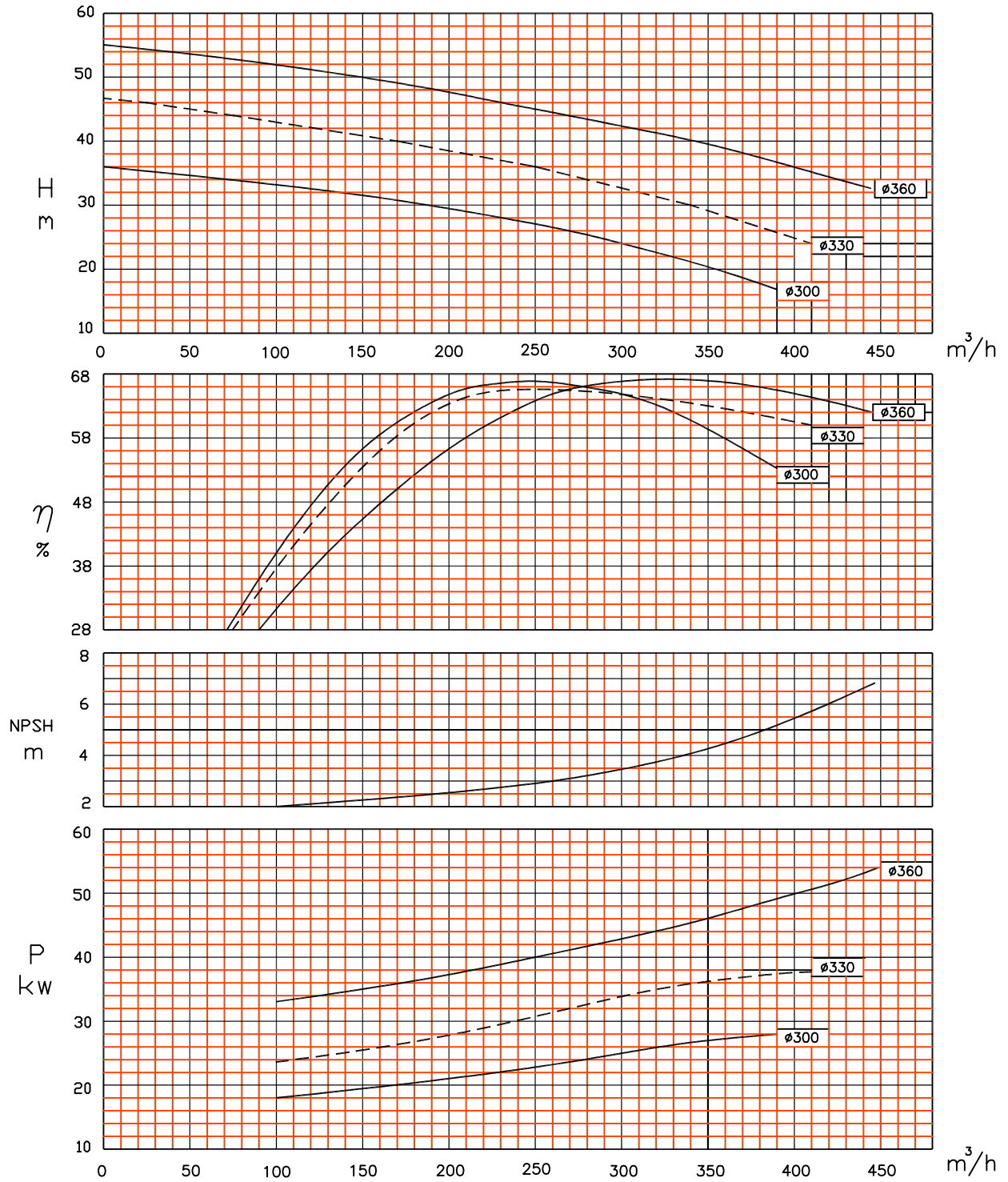
Type: 125/1

1450 rpm



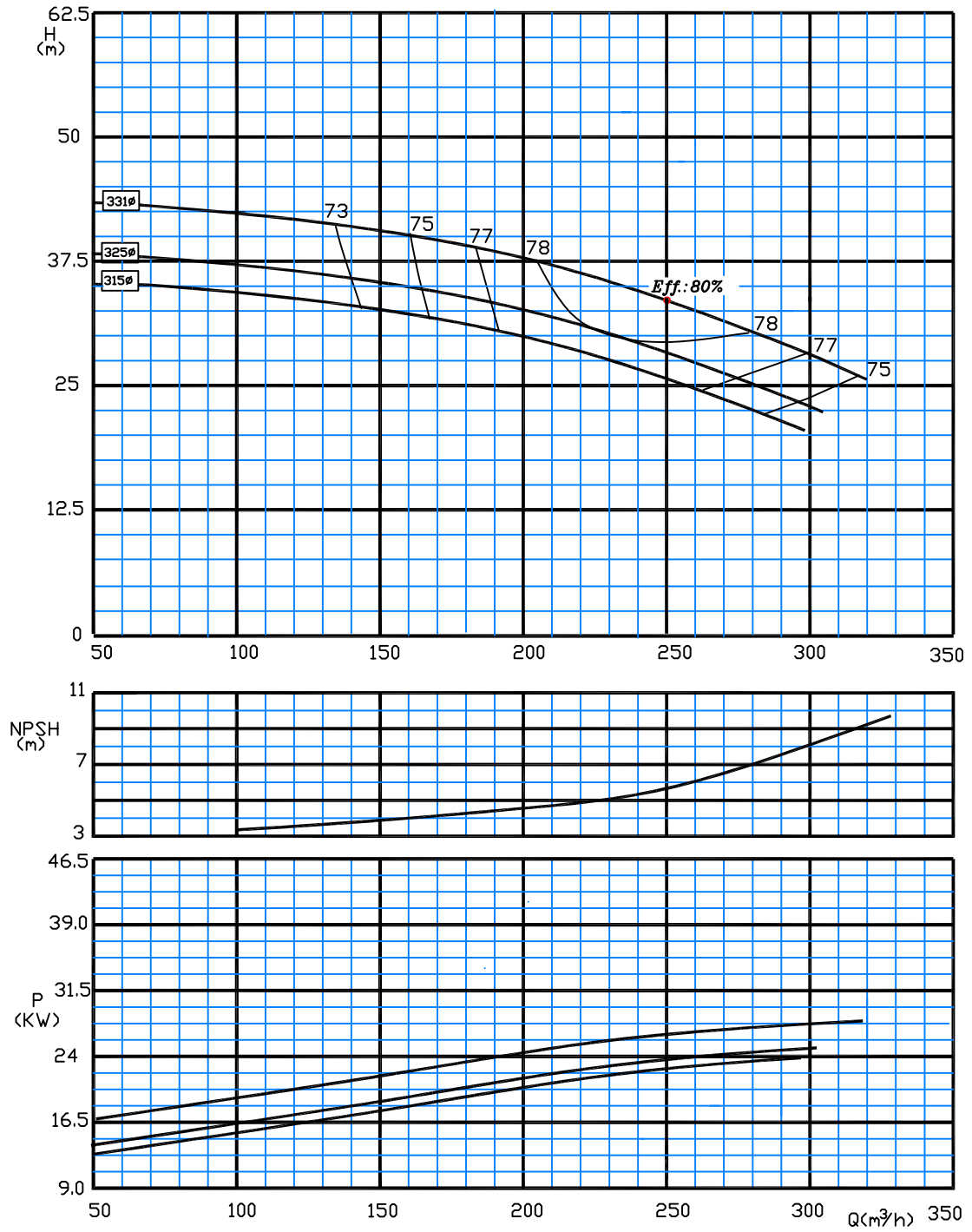
Type: 150/1

1450 rpm



Type: 200/1

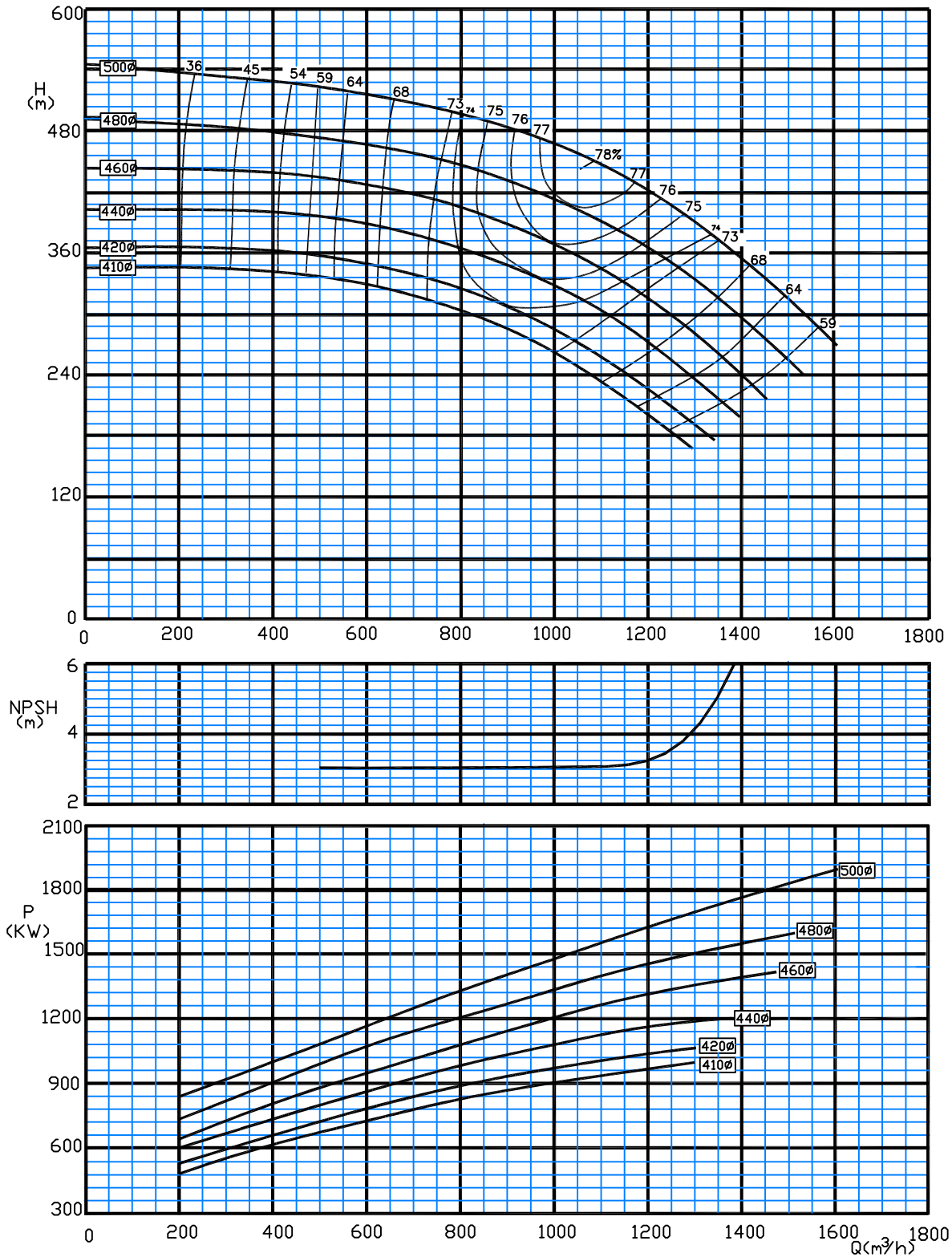
1450 rpm





Type: 250/6

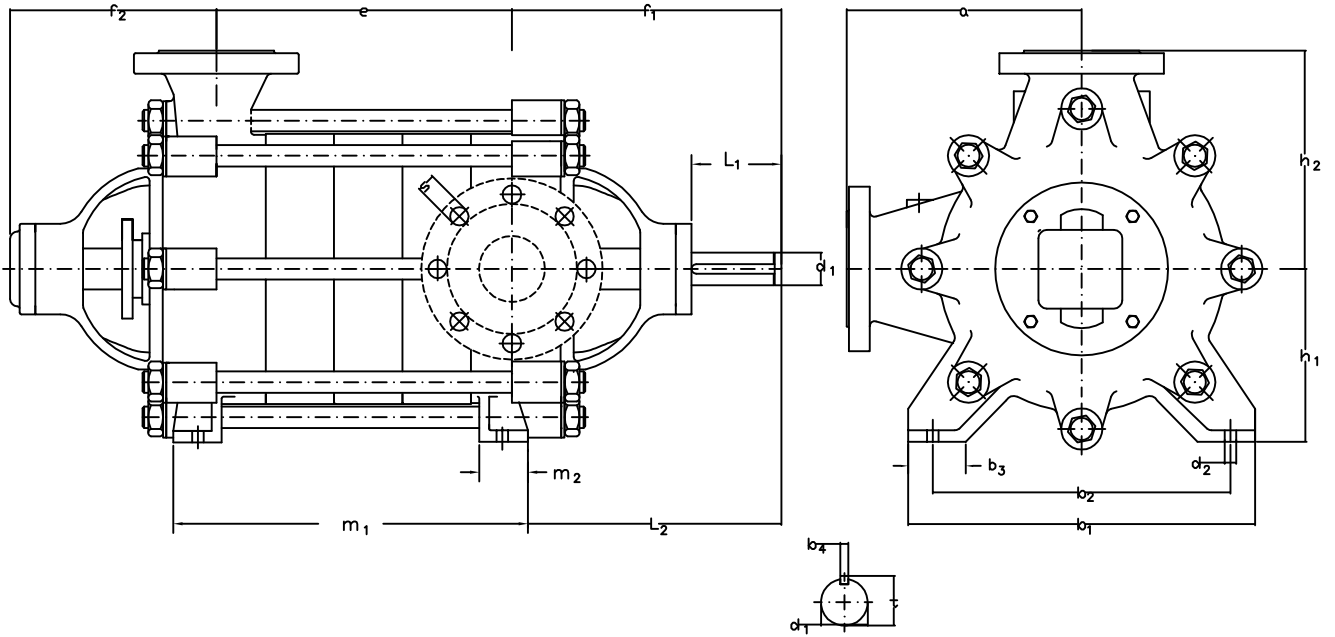
1450 rpm







**BERKEH**  
Centrifugal Pump

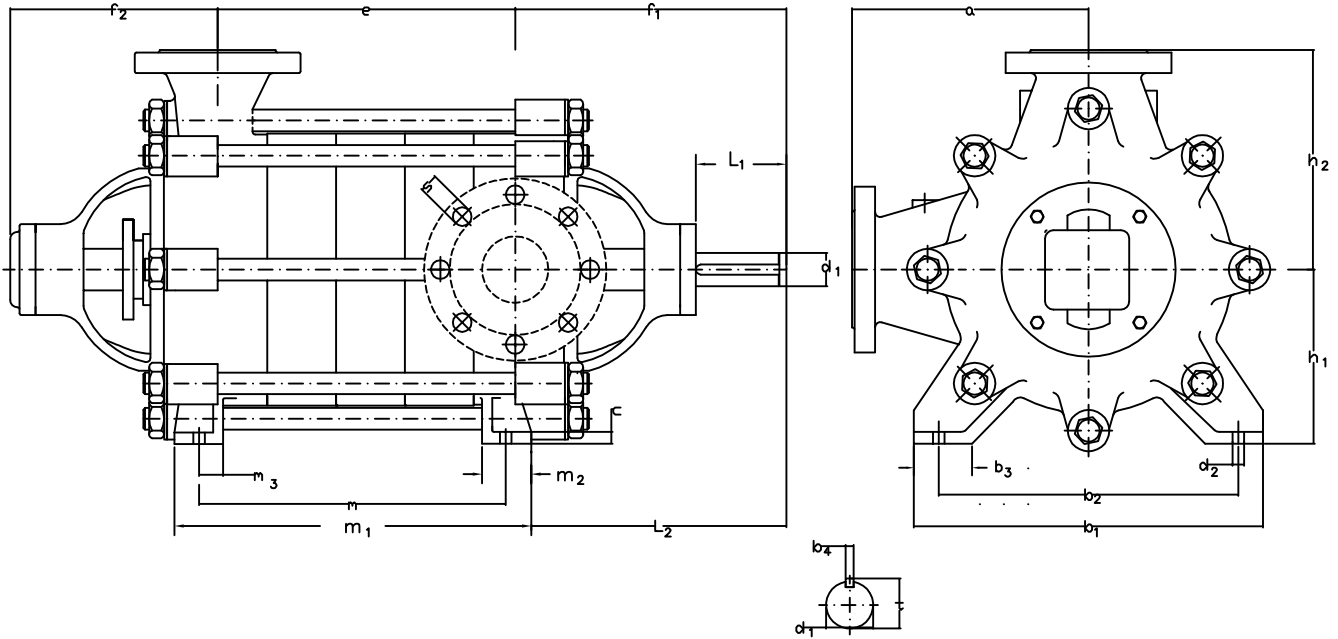


pump size	pump dimintions																							
	DN <sub>s</sub>	DN <sub>d</sub>	a	b <sub>1</sub>	b <sub>2</sub>	b <sub>3</sub>	d <sub>2</sub>	f <sub>1</sub>	f <sub>2</sub>	h <sub>1</sub>	h <sub>2</sub>	L <sub>1</sub>	L <sub>2</sub>	m <sub>1</sub>	m <sub>2</sub>	s <sub>s</sub>	z <sub>s</sub>	s <sub>d</sub>	z <sub>d</sub>	d <sub>1</sub>	b <sub>4</sub>	t		
100	125	100	300	440	370	80	15	360	275	250	300	95	290	e+140	75	18	8	18	8	45	12	48		

pump size	number of stages								
	1	2	3	4	5	6	7	8	
100	e	135	235	335	435	535	635	735	835



**BERKEH**  
Centrifugal Pump



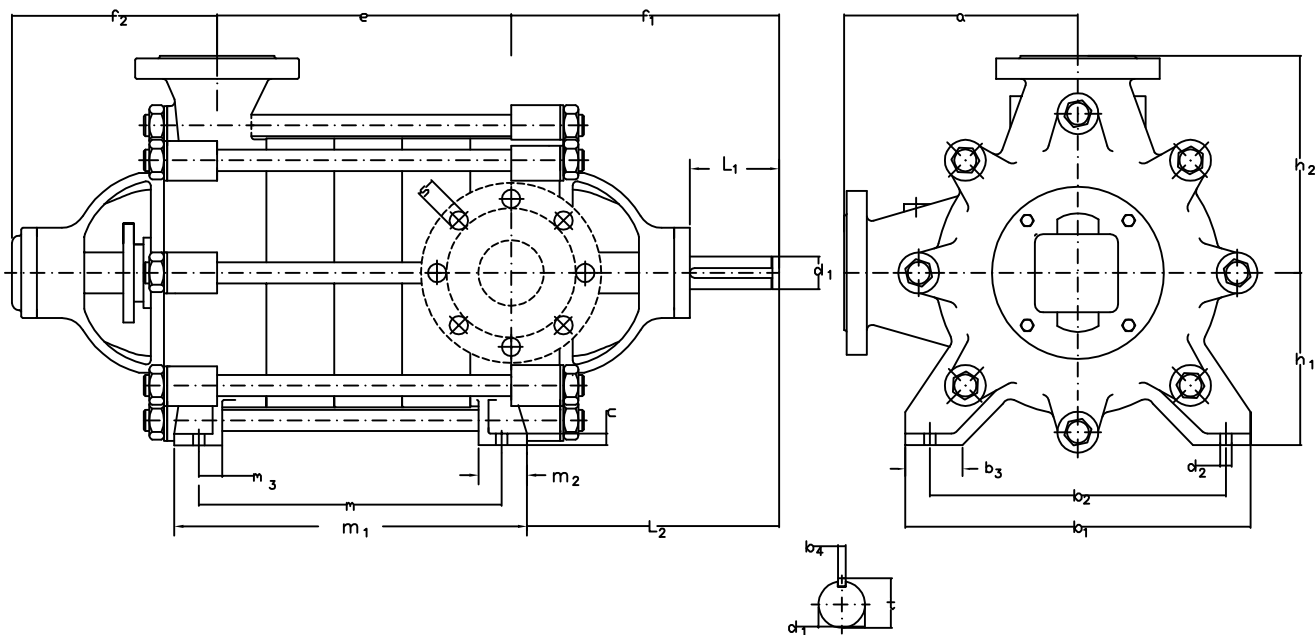
pump size	pump dimensions																					
	DN <sub>s</sub>	DN <sub>d</sub>	a	b <sub>1</sub>	b <sub>2</sub>	b <sub>3</sub>	d <sub>2</sub>	f <sub>1</sub>	f <sub>2</sub>	h <sub>1</sub>	h <sub>2</sub>	L <sub>1</sub>	L <sub>2</sub>	m <sub>2</sub>	m <sub>3</sub>	s <sub>s</sub>	z <sub>s</sub>	s <sub>d</sub>	z <sub>d</sub>	d <sub>1</sub>	b <sub>4</sub>	t
125	150	125	375	550	460	95	20	420	440	300	375	125	335	85	85	26	8	26	8	50	14	53.5

pump size	number of stages						
		1	2	3	4	5	6
125	e	165	280	395	510	625	740
	m <sub>1</sub>	335	450	565	680	795	910





**BERKEH**  
Centrifugal Pump

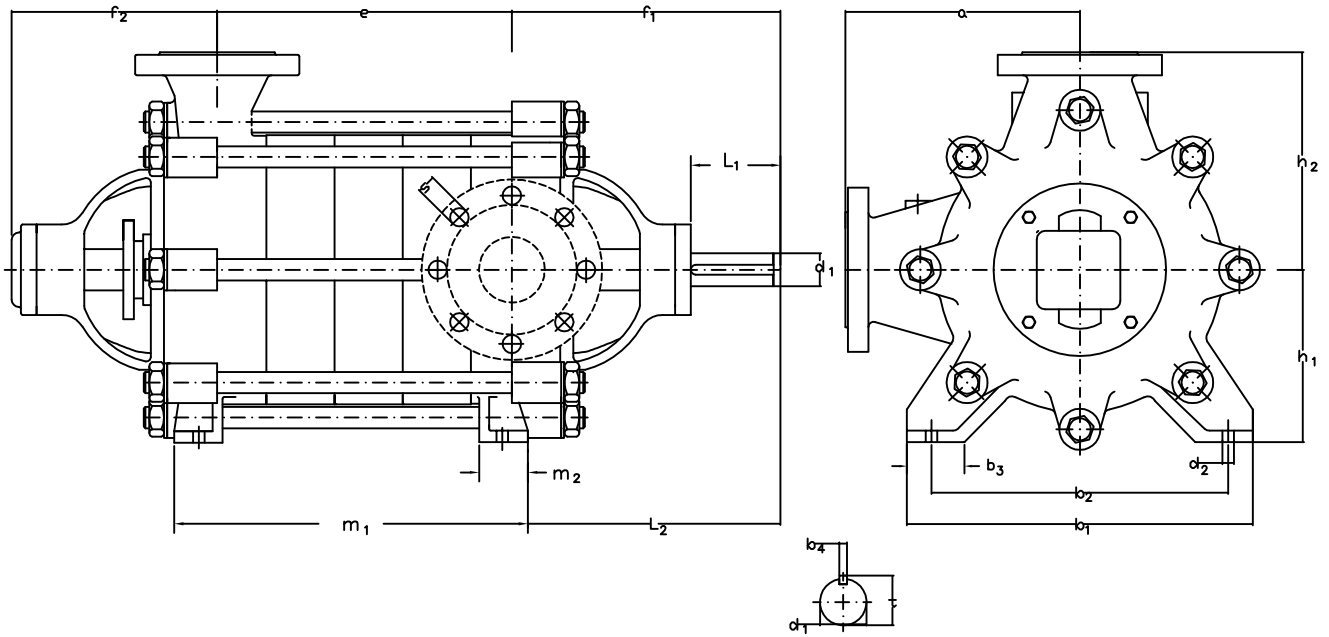


pump size	pump dimensions																						
	DN <sub>s</sub>	DN <sub>d</sub>	a	b <sub>1</sub>	b <sub>2</sub>	b <sub>3</sub>	d <sub>2</sub>	f <sub>1</sub>	f <sub>2</sub>	h <sub>1</sub>	h <sub>2</sub>	L <sub>1</sub>	L <sub>2</sub>	m <sub>2</sub>	m <sub>3</sub>	s <sub>s</sub>	z <sub>s</sub>	s <sub>d</sub>	z <sub>d</sub>	d <sub>1</sub>	b <sub>4</sub>	t	
50	65	50	180	280	230	60	14	285	220	135	180	60	239	50	30	18	4	18	4	35	10	38.3	

pump size	number of stages														
		1	2	3	4	5	6	7	8	9	10	11	12	13	14
50	e	73	128	183	238	293	348	403	458	513	568	623	678	733	788
	m <sub>1</sub>	165	220	275	330	385	440	495	550	605	660	715	770	825	880



**BERKEH**  
Centrifugal Pump

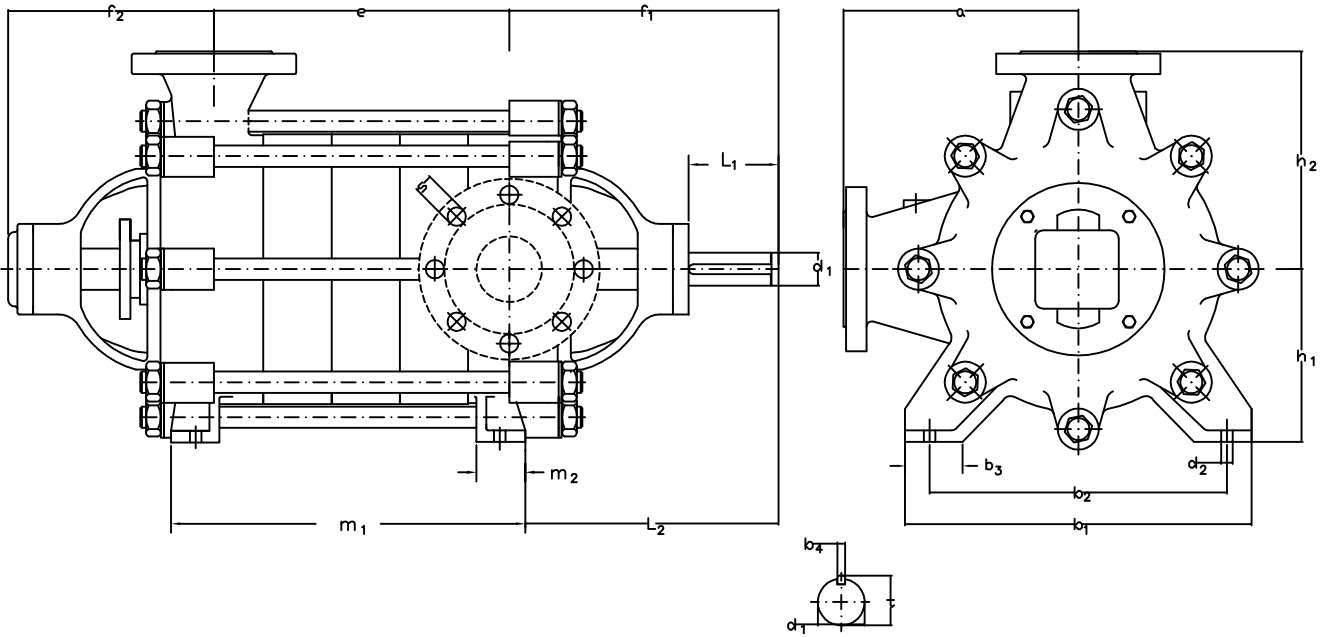


pump size	pump dimintions																					
	DN <sub>s</sub>	DN <sub>d</sub>	a	b <sub>1</sub>	b <sub>2</sub>	b <sub>3</sub>	d <sub>2</sub>	f <sub>1</sub>	f <sub>2</sub>	h <sub>1</sub>	h <sub>2</sub>	L <sub>1</sub>	L <sub>2</sub>	m <sub>1</sub>	m <sub>2</sub>	s <sub>s</sub>	z <sub>s</sub>	s <sub>d</sub>	z <sub>d</sub>	d <sub>1</sub>	b <sub>4</sub>	t
65	80	65	200	300	250	70	15	290	220	155	200	60	239	e+102	55	18	8	18	8	35	10	38.3

pump size	number of stages										
	1	2	3	4	5	6	7	8	9	10	
65	e	87	147	207	267	327	387	447	507	567	627



**BERKEH**  
Centrifugal Pump



pump size	pump dimintions																					
	DN <sub>s</sub>	DN <sub>d</sub>	a	b <sub>1</sub>	b <sub>2</sub>	b <sub>3</sub>	d <sub>2</sub>	f <sub>1</sub>	f <sub>2</sub>	h <sub>1</sub>	h <sub>2</sub>	L <sub>1</sub>	L <sub>2</sub>	m <sub>1</sub>	m <sub>2</sub>	s <sub>s</sub>	z <sub>s</sub>	s <sub>d</sub>	z <sub>d</sub>	d <sub>1</sub>	b <sub>4</sub>	t
80	100	80	265	370	310	70	15	320	250	210	265	85	260	e+120	60	18	8	18	8	40	12	43

pump size	number of stages										
		1	2	3	4	5	6	7	8	9	10
80	e	110	193	276	359	442	525	608	691	774	857